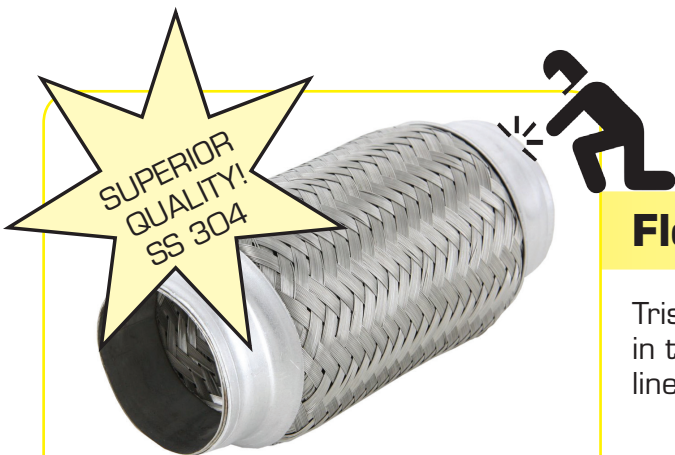
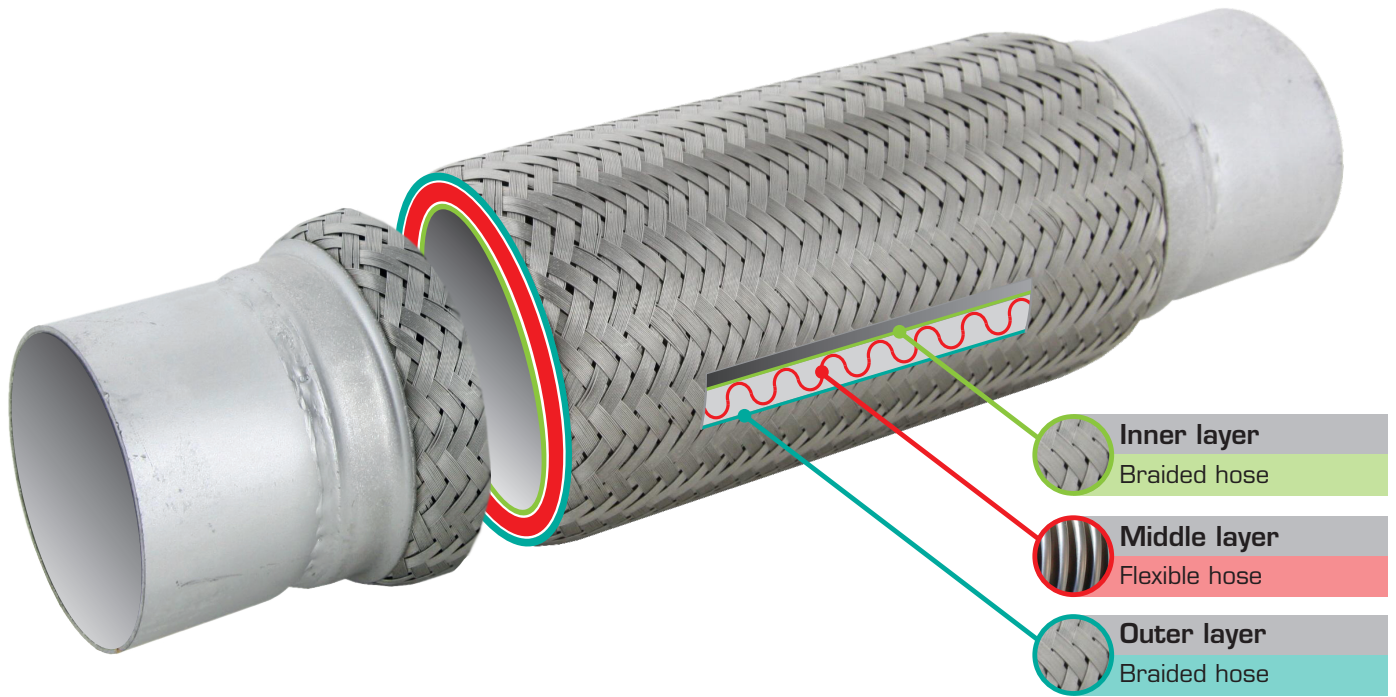


Triscan exhaust pipe connectors

All flexible connectors and connectors with clamps are made of stainless steel. Flexible connectors are constructed in a sturdy 3-layer construction that ensures long durability. The many versions makes it possible to use both pipes and connectors in many contexts.



Flexible connectors

Triscan flexible connectors for welding are used in the catalysts and manifold of diesel and gaso-line engines.

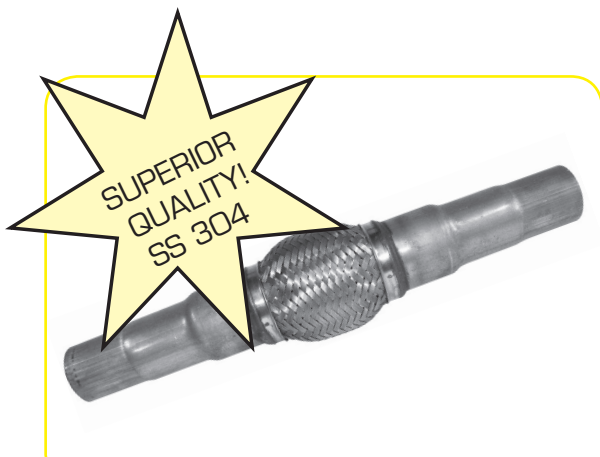
ARTICLE NO.	DESCRIPTION	SIZE
700010040	FLEXIBLE CONNECTOR FOR WELDING	45x100 MM STD
700010041	FLEXIBLE CONNECTOR FOR WELDING	45x150 MM STD
700010042	FLEXIBLE CONNECTOR FOR WELDING	45x200 MM STD
700010050	FLEXIBLE CONNECTOR FOR WELDING	51x100 MM STD
700010051	FLEXIBLE CONNECTOR FOR WELDING	51x150 MM STD
700010052	FLEXIBLE CONNECTOR FOR WELDING	51x200 MM STD
700010079	FLEXIBLE CONNECTOR FOR WELDING	51x250 MM STD
700010060	FLEXIBLE CONNECTOR FOR WELDING	57x100 MM STD
700010061	FLEXIBLE CONNECTOR FOR WELDING	57x150 MM STD
700010062	FLEXIBLE CONNECTOR FOR WELDING	57x200 MM STD



Triscan flexible connectors

Triscan flexible connectors for welding are used in connection with the catalysts and manifold of diesel and gasoline engines.

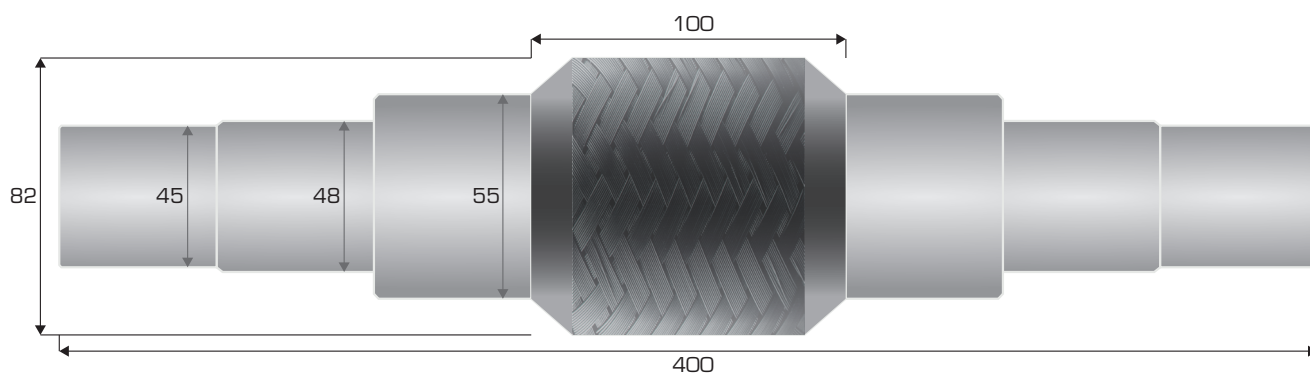
ARTICLE NO.	DESCRIPTION	LENGTH ON ENDS
700010078	FLEXIBLE CONNECTOR 42x272 MM	85 + 85 MM
700010009	FLEXIBLE CONNECTOR 45x200 MM	50 + 50 MM
700010010	FLEXIBLE CONNECTOR 45x250 MM	50 + 50 MM
700010011	FLEXIBLE CONNECTOR 45x300 MM	50 + 50 MM
700010012	FLEXIBLE CONNECTOR 45x330 MM	50 + 50 MM
700010013	FLEXIBLE CONNECTOR 45x350 MM	50 + 50 MM
700010014	FLEXIBLE CONNECTOR 51x200 MM	50 + 50 MM
700010015	FLEXIBLE CONNECTOR 51x250 MM	50 + 50 MM
700010016	FLEXIBLE CONNECTOR 51x300 MM	50 + 50 MM
700010017	FLEXIBLE CONNECTOR 51x330 MM	50 + 50 MM
700010018	FLEXIBLE CONNECTOR 51x350 MM	50 + 50 MM
700010019	FLEXIBLE CONNECTOR 55x200 MM	50 + 50 MM
700010020	FLEXIBLE CONNECTOR 55x250 MM	50 + 50 MM
700010021	FLEXIBLE CONNECTOR 55x300 MM	50 + 50 MM
700010022	FLEXIBLE CONNECTOR 55x330 MM	50 + 50 MM
700010023	FLEXIBLE CONNECTOR 55x350 MM	50 + 50 MM
700010024	FLEXIBLE CONNECTOR 57x200 MM	50 + 50 MM
700010025	FLEXIBLE CONNECTOR 57x250 MM	50 + 50 MM
700010026	FLEXIBLE CONNECTOR 57x300 MM	50 + 50 MM
700010029	FLEXIBLE CONNECTOR 57x350 MM	50 + 50 MM
700010030	FLEXIBLE CONNECTOR 60x200 MM	50 + 50 MM
700010031	FLEXIBLE CONNECTOR 60x250 MM	50 + 50 MM
700010032	FLEXIBLE CONNECTOR 60x300 MM	50 + 50 MM
700010033	FLEXIBLE CONNECTOR 60x330 MM	50 + 50 MM
700010034	FLEXIBLE CONNECTOR 60x350 MM	50 + 50 MM
700010035	FLEXIBLE CONNECTOR 75x200 MM	50 + 50 MM
700010036	FLEXIBLE CONNECTOR 75x250 MM	50 + 50 MM
700010037	FLEXIBLE CONNECTOR 75x300 MM	50 + 50 MM
700010038	FLEXIBLE CONNECTOR 75x330 MM	50 + 50 MM
700010039	FLEXIBLE CONNECTOR 75x350 MM	50 + 50 MM

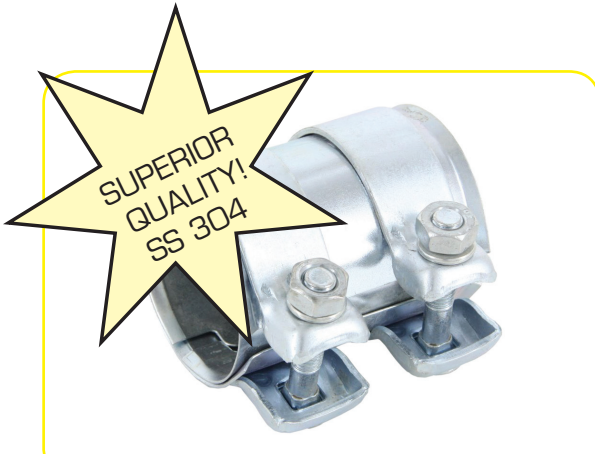


Triscan uniflex connector

Triscan uniflex connectors for welding are used in connection with the catalyts and manifold of diesel and gasoline engines.

ARTICLE NO.	DESCRIPTION	SIZE
700010077	UNIFLEX CONNECTOR	ALLE DIMENSIONS IN MM





Connectors with clamps

Triscan connectors with clamps are used in the installation and repair of the exhaust system.

ARTIKEL-NR.	ø (MM)	Ø (MM)	L (MM)
700010063	43,0	46,7	90
700010064	46,0	50,5	95
700010065	38,0	42,5	95
700010066	47,0	50,5	125
700010067	40,0	43,5	125
700010068	50,0	54,5	80
700010069	51,0	54,5	95
700010070	52,0	56,5	90
700010071	56,0	60,0	95
700010072	61,0	64,5	95
700010073	43,0	46,7	125
700010074	50,5	54,5	125
700010075	53,0	56,5	125
700010076	61,0	64,5	125
700010096	52,0	56,0	125
700010097	48,0	52,5	95
700010098	54,0	58,5	125
700010099	50,0	54,5	90

