



Rustfrit/syrefast stål - Rostfreier/säurebeständiger Stahl Rostfritt/syrefast stål - Stainless/acid-resisting steel

DK

Spændebånd

Bånd: Syrefast stål, bredde 8 mm, perforeret, (DIN 1.4401/AISI 316).

Hus: Syrefast stål, (DIN 1.4401/AISI 316).

Skruer: Syrefast stål, sekskantet med kærv 1/4"/6,3 mm, (DIN 1.4401/AISI 316).

Tilspændingsmoment: Rekommanderet 1,7 Nm, 15 in-lbs

D

Schlauchschellen

Band: Säurebeständiger Stahl, Breite 8 mm, perforiert, (DIN 1.4401/AISI 316).

Gehäuse: Säurebeständiger Stahl, (DIN 1.4401/AISI 316).

Schraube: Säurebeständiger Sechskant-Schraube mit Kerbe 1/4"/6,3 mm, (DIN 1.4401/AISI 316).

Anziehmoment: Richtwert 1,7 Nm, 15 in-lbs

S

Slangklammer

Band: Rostfritt syrefast stål, bredd 8 mm, perforerat, (DIN 1.4401/AISI 316).

Hus: Syrefast stål, (DIN 1.4401/AISI 316).

Skrue: Syrefast stål, sekskant 1/4"/6,3 mm med spår, (DIN 1.4401/AISI 316).

Åtdragningsmoment: Rekommanderat 1,7 Nm, 15 in-lbs

GB

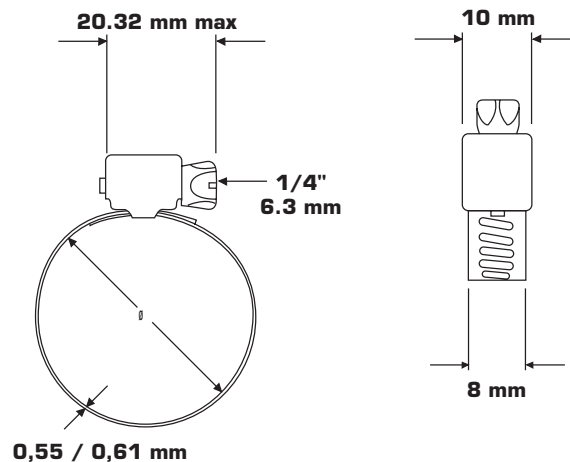
Gear clamps

Band: Acid-resisting steel, width 8 mm, perforated, (DIN 1.4401/AISI 316).

House: Acid-resisting steel, (DIN 1.4401/AISI 316).

Screw: Acid-resisting steel, 1/4"/6,3 mm slotted hexagon, (DIN 1.4401/AISI 316).

Torque: Recommended 1,7 Nm, 15 in-lbs



min.	Ø (mm) max.	Triscan ref.:	XXX = 706 stk./pcs
8	16	2359 004 xxx	10
8	22	2359 006 xxx	10

DK

xxx = emballagekode:
- 706 = pakket i karton

D

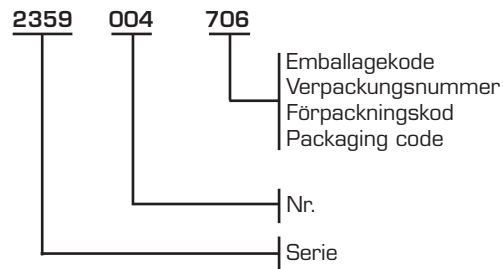
xxx = Verpackungsnummer:
- 706 = Kartonverpackung

S

xxx = förpackningskod:
- 706 = förpackad i kartong

GB

xxx = packaging code:
- 706 = cartoned



>address

Triscan a/s
Engmarken 11
DK-8220 Brabrand
Denmark

>contact

Phone +45 8622 5811
Fax +45 8622 5877

>contact

email auto@triscan.dk
www.triscan.com